

PROPOSED LAYOUT SKETCH FOR:

MARK EVANS  
 HOPKINS TOWNSHIP SUPERVISOR  
 PO BOX 217  
 HOPKINS, MI 49328

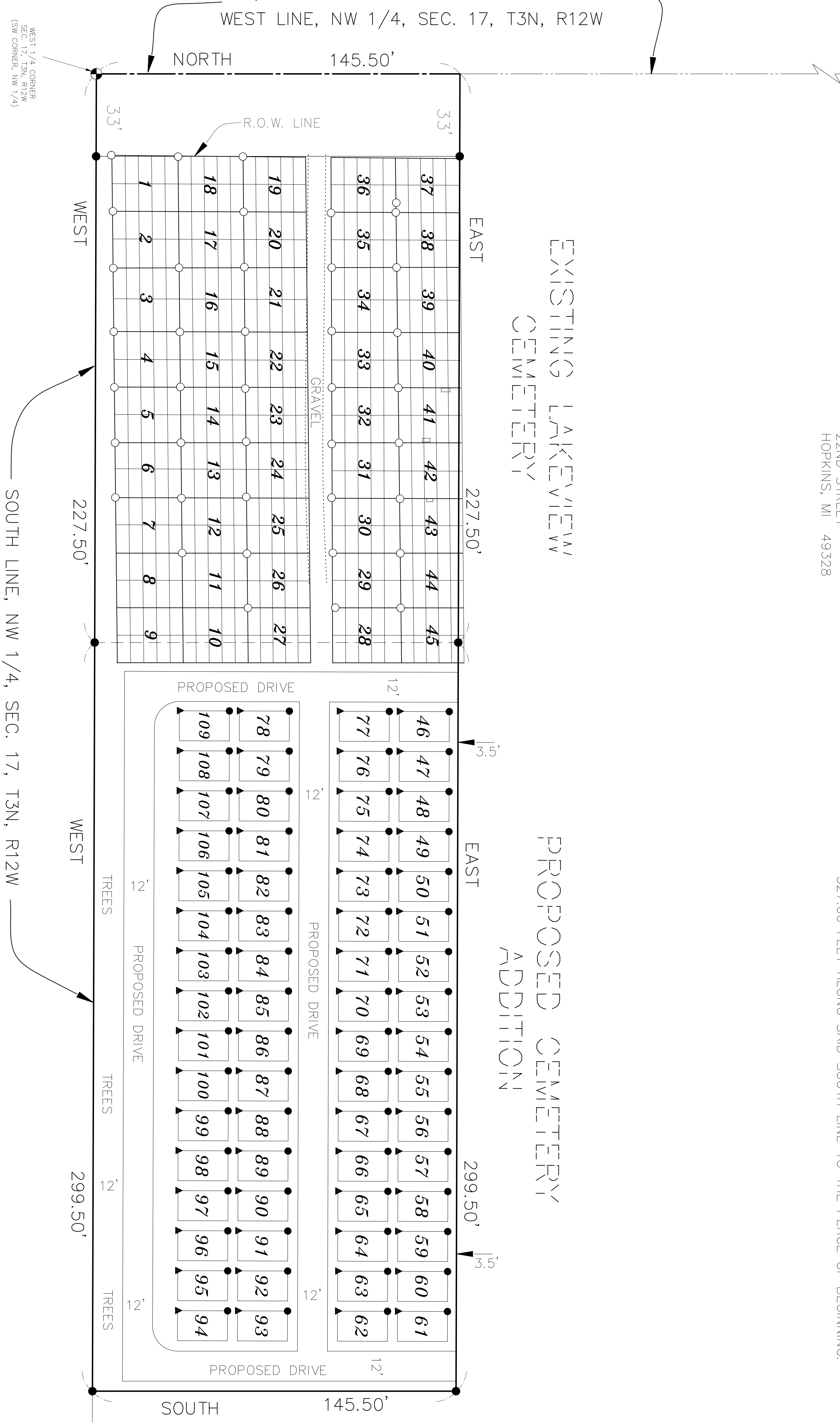
RE: LAKEVIEW CEMETERY ADDITIONAL LAND  
 22ND STREET  
 HOPKINS, MI 49328

DESCRIPTION OF COMBINED CEMETERY LAND:

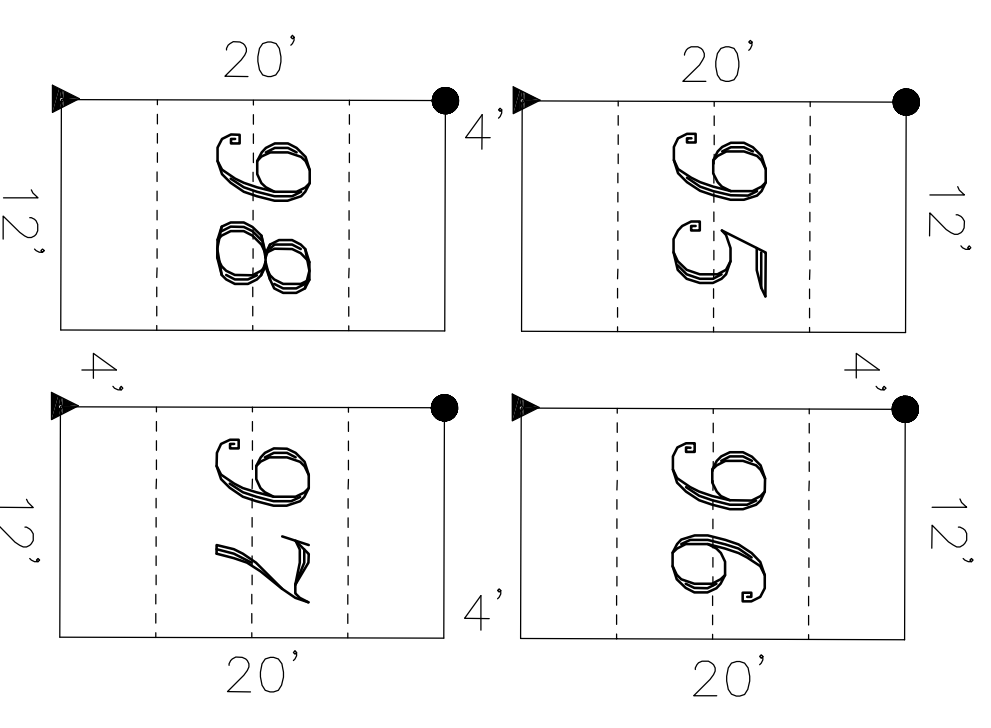
THAT PART OF THE SW 1/4 OF THE NW 1/4 OF SECTION 17, T3N, R12W, HOPKINS TOWNSHIP, ALLEGAN COUNTY, MICHIGAN, DESCRIBED AS: BEGINNING AT THE WEST 1/4 CORNER OF SAID SECTION 17; THENCE NORTH 145.50 FEET ALONG THE WEST LINE OF SAID NW 1/4; THENCE EAST 527.00 FEET PARALLEL WITH THE SOUTH LINE OF SAID NW 1/4; THENCE SOUTH 145.50 FEET TO SAID SOUTH LINE OF NW 1/4; THENCE WEST 527.00 FEET ALONG SAID SOUTH LINE TO THE PLACE OF BEGINNING.

# C/L 22ND STREET

WEST LINE, NW 1/4, SEC. 17, T3N, R12W



## PLOT DETAIL

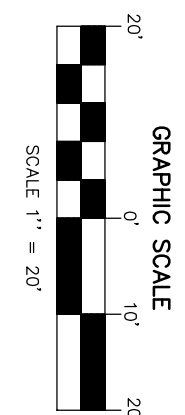
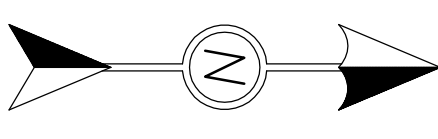


NOTE: PROPOSED  
 ADDITIONAL 85 NEW  
 20' x 12' PLOTS  
 (4 GRAVES PER PLOT)

CENTRAL 1/4 CORNER  
 SEC. 17, T3N, R12W

**LEGEND**

- ▲ = Set Aluminum Cemetery Marker
- = Found Exist Cemetery Marker
- = Set 1/2" x 1/2" rebar
- = Monument
- = Wood Stake
- = Iron Stake
- = Platted Dimension
- = Measured Dimension
- = Dashed Dimension
- = Dotted Dimension
- X-X = Fence Line
- = Overhead Wires
- = Centerline



**REVISIONS**


**JONKER LAND SURVEYS P.C.**  
 P.O. BOX 385      PHONE  
 8373 MERTON AVE. SW      878-1607  
 GRAND RAPIDS, MI 49515  
 SHEET 1 OF 1      WWW.JONKERSURVEYS.COM  
 DRAWN BY: RJL      SCALE 1" = 20'      FILE NO.: 19036      DATE: 4/08/20